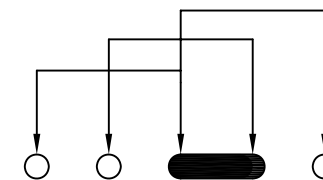
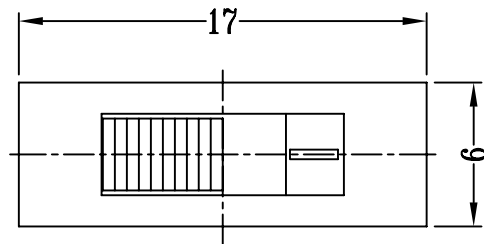
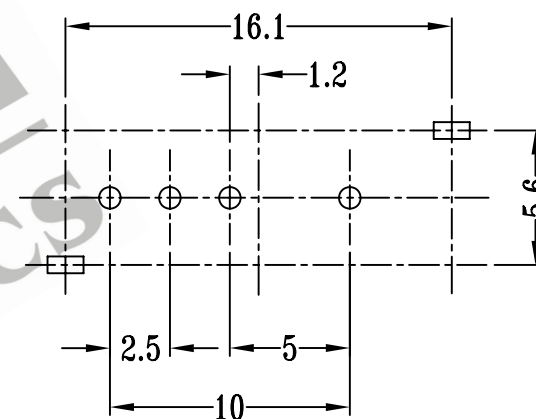
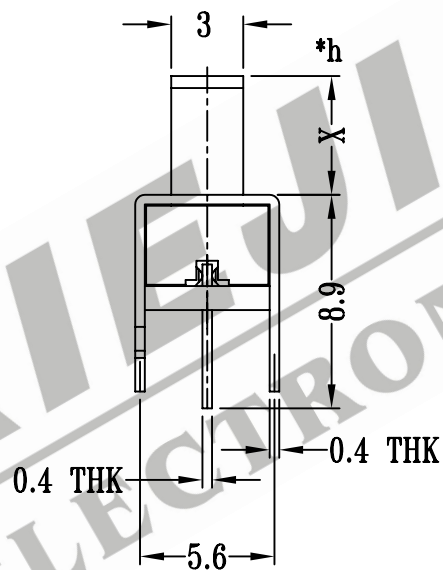
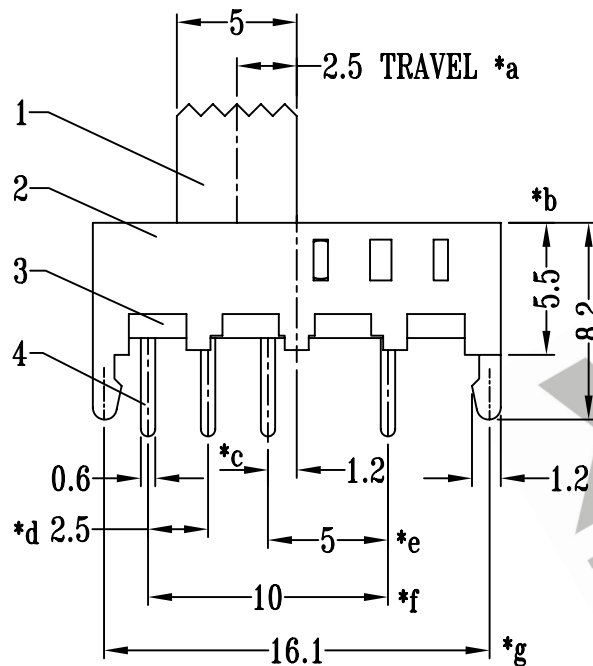


CAD FILE:



SCHMATIC (SHORTING)



P.C.B LAYOUT

注:带"*"表示关键尺寸(8个)

				TOLERANCE UNLESS SPECIFIED	SHENZHEN XIEJIA ELECTRONICS CO.,LTD.					
8										
7										
6	CONTACT CLIP	BRASS STRIP	1	Ag PLATED	WITHIN: 1.5±0.1mm					
5	SPRING	STEEL WIRE	1	TEMPER	OVER : 1.5±0.2mm	ISSUE	DATE	DESCRIPTIONS		
4	TERMINAL	BRASS STRIP	3	Ag PLATED OVER Ni PLATED				APPD.		
3	BASE	PHENOLIC RESIN	1	NATURAL	TITLE : HORIZONTAL SLIDE SWITCH	UNIT : MM	DRWG NO.: XJ-DR-SS13E05-00			
2	FRAME	STEEL STRIP	1	Ni PLATED	MODEL: SS13E05	SCALE: 3:1	DWN.	ZHOUYU	2005-12-19	
1	KNOB	POM	1	BLACK			CHK'D	FANGYING	2005-12-19	
NO.	PART NAME	MATERIAL	Q'TY	FINISHING	ALL MATERIALS MUST BE COMPLIANT TO ROHS			APPD.	KANGXINAN	2005-12-19